



8189 SIP Surface Mount Speaker **GETTING STARTED SHEET**

**Full Configuration Guide Available
Online From**

www.algosolutions.com/8188/guide



Need Help?

(604) 454-3792 or support@algosolutions.com

About the Algo SIP 8189 SIP Surface Mount Speaker

The 8189 Surface Mount Speaker is a SIP compliant and multicast capable IP speaker suitable for voice paging, notification, and background music.

The 6.5" (165mm) coaxial speaker is G.722 wideband capable and music capable using a fullband codec. An integrated microphone provides talkback capability and ambient noise detection for automatic level control.

Dual SIP extensions provide both voice paging and notification (ring) capability. One or both extensions can be registered with any Communication Server (hosted or enterprise) that supports 3rd party SIP Endpoints.

Multiple speakers in a SIP environment require only one speaker to register as a SIP extension. Multicasting capabilities allow the SIP registered speaker to page and simultaneously stream multicast audio to the other speakers.

The 8189 is configured using central provisioning features or by accessing a web interface using browsers such as Google Chrome, Firefox, or Internet Explorer.

Note: The 8189 SIP Surface Mount Speaker harbours the same feature set as the 8188 SIP Ceiling Speaker. Therefore, the 8188 User Guide may be used for configuring the 8189. For 8189 installation details, please follow the steps outlined in this document.

What is Included

- 8189 SIP Surface Mount Speaker
- White trim ring and speaker grill
- Tool for grill removal and reset
- Pluggable terminal block for relay input and output
- Getting Started Sheet

What is not Included

- Optional 1202 Call Button or 1203 Wall Switch
- Screws for mounting the back box to ceiling
- The full 8188 User Guide (www.algosolutions.com/8188/guide)

Getting Started - Quick Install & Test



This guide provides important safety information which should be read thoroughly before permanently installing the adapter.

1. Connect the 8189 SIP Surface Mount Speaker to an IEEE 802.3af compliant PoE network switch. The blue light will remain on until boot up is completed – about 30 seconds.
2. After the blue light turns off, press the reset switch (RST) that is hidden behind the speaker grill, to hear the IP address over the speaker. The IP address may also be discovered by downloading the Algo locator tool to find Algo devices on your network: www.algosolutions.com/locator
3. Mount the speaker per the instructions in this guide.

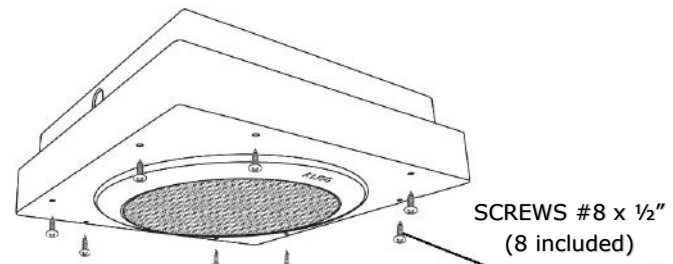
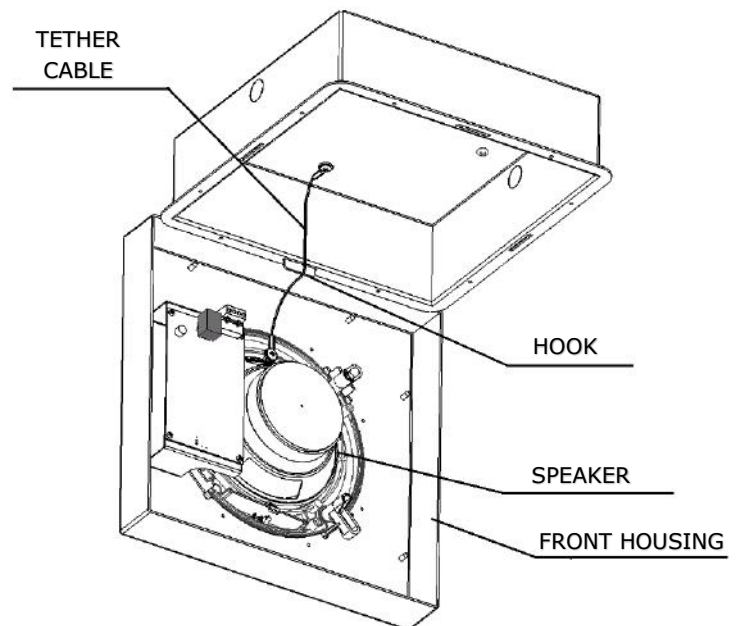
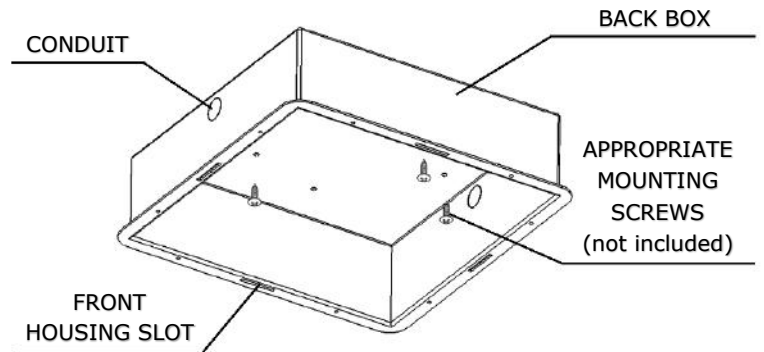
4. Access the 8189 web page by entering the IP address into a browser (Chrome, IE, Firefox etc) and login using the default password **algo**.
5. Enter the IP address for the SIP server into the SIP Domain field under the **BASIC SETTINGS > SIP** tab.
6. Enter the page SIP extension and password. (Note the speaker supports two SIP extensions. The page extension auto-answers for paging. The ring extension plays a WAV file over the speaker without answering.)
7. Make a call to the speaker by dialling the page SIP extension from a telephone. The speaker should auto-answer, play the default pre-announce WAV file, and open a speech path.
8. If the protective grill was removed to access the Reset button, carefully reinstall the grill working around the grill until fully installed and flush with the housing.

Installation

The back box must be mounted securely to the ceiling (concrete, wood, steel truss etc). Appropriate mounting screws or bolts and the associated fastenings to provide a secure connection to the ceiling material are to be provided by the installer. Although four mounting holes are provided, some installations may require additional holes for securing to the ceiling surface. Conduit connections can provide additional mounting security. Algo recommends that a licensed electrician installs the back box.

Once the back box is mounted, it should be tested to ensure it can support at least 20kg of weight. Hook the front housing to the slot on the back box, while connecting the tether on the speaker assembly to the back box via a screw adjacent to the slot. Connect the network cable and test.

The tether should be left in place after installation to provide additional protection against falling. Unhook the front housing from the slot and attach it to the back box using the 8 provided screws.



FCC Compliance Statement

This equipment has been tested and found to comply with the limits for a Class A digital device, pursuant to Part 15 of the FCC Rules. These limits are designed to provide reasonable protection against harmful interference when the equipment is operated in a commercial environment. This equipment generates, uses, and can radiate radio frequency energy, and if it is not installed and used in accordance with the instruction manual, it may cause harmful interference to radio communications. Operation of this equipment in a residential area is likely to cause harmful interference, in which case the user will be required to correct the interference at his own expense.

Important Safety Information

This product is powered by a certified limited power source (LPS), Power over Ethernet (PoE); through CAT5 or CAT6 connection wiring to an IEEE 802.3af compliant network PoE switch. The product is intended for *indoor installation only*. For outdoor locations, Algo offers weatherproof speakers and strobe lights. All wiring connections to the product must be in the same building. If the wiring connections to the product leave the building perimeter, they must be protected against overvoltage / transient. Algo recommends that this product be installed by a qualified electrician.

The full product manual is available on the Algo website at www.algosolutions.com/8188. If you cannot locate the manual or are unable to understand the English language safety information then please contact Algo by email for assistance before attempting an installation support@algosolutions.com.

Informations de sécurité importantes

Ce produit est alimenté par une source certifiée limitée de puissance (LPS), Power over Ethernet (PoE); par le câblage de connexion CAT5 ou CAT6 à IEEE 802.3af un réseau compatible commutateur PoE. Le produit est conçu pour une installation en intérieur. Pour les emplacements extérieurs, Algo offre haut-parleurs étanches et des lumières stroboscopiques. Toutes les connexions de câblage au produit doit être dans le même bâtiment. Si les connexions de câblage au produit quittent le périmètre du bâtiment, ils doivent être protégés contre les surtensions / transitoires. Algo recommande que ce produit soit installé par un électricien qualifié.

Le manuel complet du produit est disponible sur le site Algo à www.algosolutions.com/8188. Si vous ne pouvez pas localiser le manuel ou sont incapables de comprendre les consignes de sécurité de la langue anglaise, puis s'il vous plaît contacter Algo par email pour une assistance avant de tenter une support@algosolutions.com d'installation.

Información de seguridad importante

Este producto es alimentado por una fuente certificada de potencia limitada (LPS), alimentación a través de Ethernet (PoE) ; a través de CAT5 o CAT6 de cableado de conexión a una red compatible con IEEE 802.3af switch PoE . El producto está diseñado para su instalación en interiores. Para lugares al aire libre, ofrece Algo altavoces resistentes a la intemperie y luces estroboscópicas. Todas las conexiones de cableado al producto deben estar en el mismo edificio. Si las conexiones de cableado al producto salen del perímetro del edificio, deben ser protegidas contra sobretensiones / transitoria. Algo recomienda que este producto sea instalado por un electricista calificado.

El manual del producto completo está disponible en el sitio web Algo en www.algosolutions.com/8188. Si no puede localizar el manual o no es capaz de comprender la información de seguridad idioma Inglés, por favor, póngase en contacto con Algo por correo electrónico para recibir asistencia antes de intentar una instalación support@algosolutions.com.