

A high-contrast, low-maintenance IP clock

The Algo 8402 IP Dual-Sided Clock is a high-visibility, NTP-capable, PoE clock that complements your Algo deployments.



MONITOR AND MANAGE REMOTELY

The Algo 8402 IP Dual-Sided Clock can be configured and managed remotely with a device web interface or via connection to an Algo 8300 or ADMP account. Use these tools and the web interface to configure your clock exactly for your needs.

EXCEED VISIBILITY REQUIREMENTS

Time on the 8402 is displayed using high-contrast, white LEDs creating 2.2" digits. This makes it easy to read the time at a distance and accessible to those with visual impairments. The 8402 is double-sided and mounted perpendicular to a wall using a single- or dual-gang electrical box providing visibility from multiple angles which makes it ideal for high-traffic areas like hallways and lobbies.

ENHANCE YOUR ALGO DEPLOYMENT

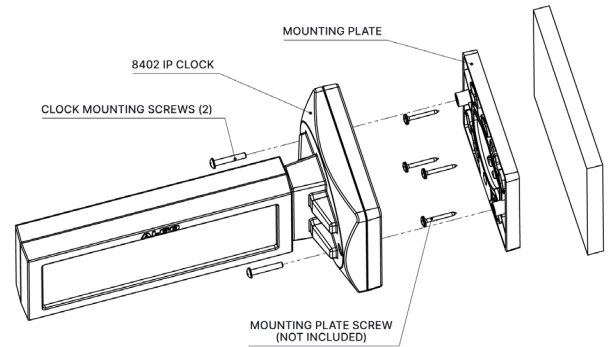
Strengthen your deployment of paging adapters, speakers, intercoms, and other Algo devices with the 8402 IP Dual-Sided Clock or 8401 IP Single-Sided Clock. These clocks complement other Algo endpoints to ensure consistency across all your communication devices and platforms.

KEY FEATURES

- Double-sided, mounted perpendicular to wall
- PoE
- Configurable via web interface:
 - Time zone
 - Daylight saving preferences
 - Brightness
 - 12 or 24 hour format
- NTP-capable
- Manageable via 8300 or ADMP
- Easy to read white 2.2" LED digits

DISPLAY	
DIMENSIONS	7.4 x 2.75"
LED COLOR	White
POWER	
POWER SOURCE	PoE (IEEE 802.3af Class 0) 48 V, 15.4 W
MAX POWER (AT DEVICE)	12.9 W
THIRD-PARTY COMPATIBILITY	
API	RESTful API
CONFIGURATION & PROVISIONING	
CONFIGURATION	Web interface or provisioning server
WEB INTERFACE	HTTP, HTTPS
PROVISIONING	TFTP, FTP, HTTP, HTTPS DHCP Options 66, 150, 160
ZTP	Supported
SUPERVISION	Compatible with Algo Device Management Platform (ADMP), Algo 8300 IP Controller, and any third-party SNMP monitoring software
NETWORKING	
NETWORKING	IPv4, IPv6, DHCP, VLAN, mDNS
LINK LAYER	LLDP, CDP
SECURITY	IEEE 802.1X
NAT	STUN, TURN, CRLF Keep Alive, SIP Outbound
ADDRESS RESOLUTION	DNS, SRV Record
TIME	NTP Server (up to four)
ENVIRONMENTAL & MECHANICAL	
ENVIRONMENTAL	Dry indoor locations only. 0 to +40 deg C (32 to 104 deg F); 10-95% RH non-condensing.
DIMENSIONS (PRODUCT)	11.13 x 4.80" (with mounting plate)
WEIGHT (PRODUCT)	1.92 lbs
COMPLIANCE	
RoHS, FCC Class A, CSA/UL (USA & Canada), EN 55032	

MOUNTING BRACKET VIEW



ORDERING CODES:

8402 IP Dual-Sided Clock

